

Robust vacuum valve for venting and rough metering

For gases and liquids



Body material

aluminum or stainless steel

Manual actuator

DN		Ordering numbers	
mm	inch	aluminum	stainless steel
16	5/8	22024-KA01	22024-KE01
25	1	22028-KA01	22028-KE01
40	1 1/2	22032-KA01	22032-KE01

Technical data

Leak rate: body, valve seat	< 1 · 10 ⁻⁹ mbar ls ⁻¹
Pressure range	1 · 10 ⁻⁷ mbar to 5 bar (abs)
Cycles until first service	100 000
Temperature ¹⁾	
- Valve body	≤ 100°C
- Handwheel	≤ 50°C
Material	
- Valve body: aluminum	ENAW-6060(3.3206), ENAW-6061(3.3211), ENAW-6063(3.3206), ENAW-6082(3.2315)
- Valve body: stainless steel	AISI 316 L (1.4404 or 1.4435)
- Actuator body and handwheel	plastic (POM)
- Seal	diaphragm made of FKM (VITON)
Mounting position	any
Molecular flow conductance	
- DN 16 / 25 / 40	2 / 5 / 17 ls ⁻¹
Spindle turns per stroke	
- DN 16 / 25 / 40	3.5 / 5 / 6.5
Weight (aluminum body)	
- DN 16	0.16 kg / 0.35 lbs
- DN 25	0.5 kg / 1.1 lbs
- DN 40	1.2 kg / 2.6 lbs
Valve position	visual (mechanical)

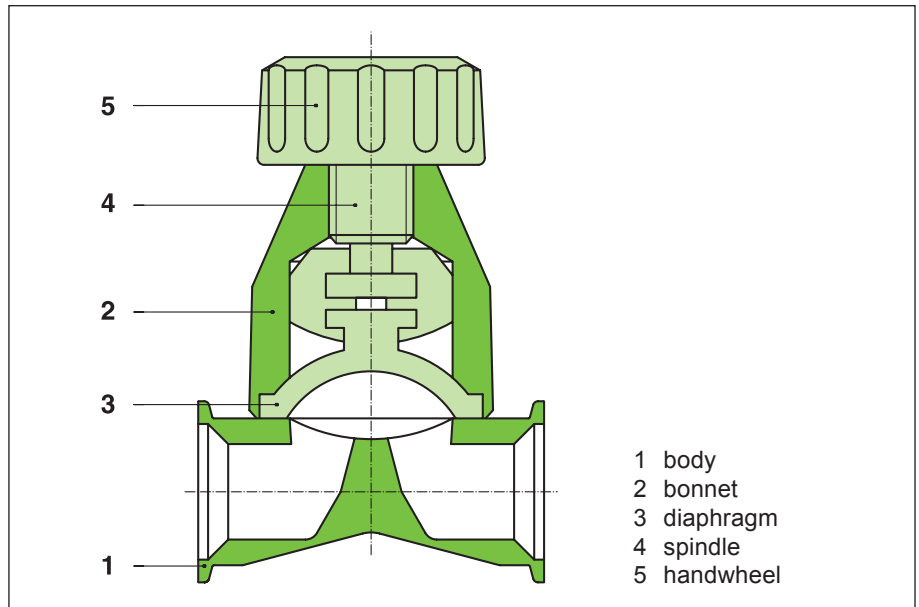
¹⁾ Maximum values: depending on operating conditions and sealing materials

Spare diaphragm

See operating manual or price list

Sealing material

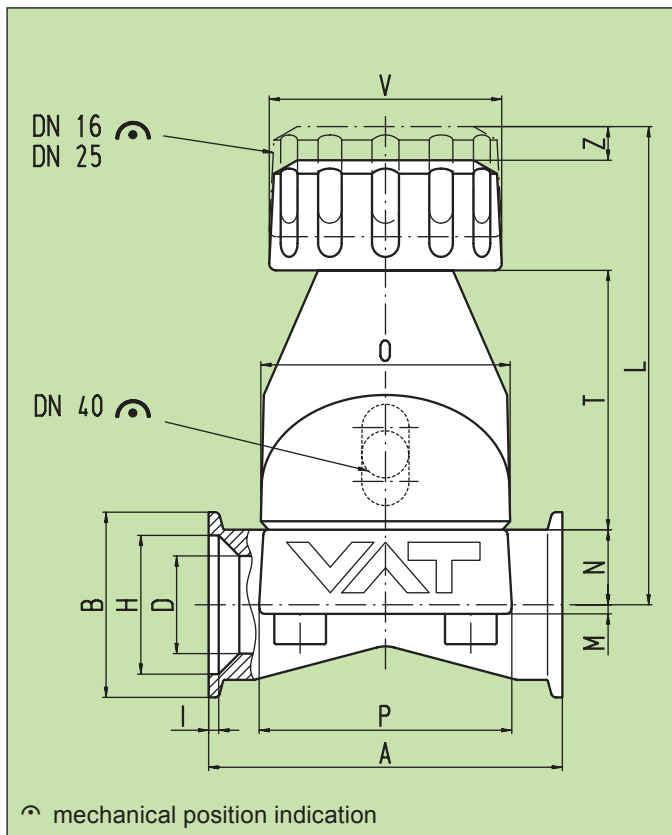
Diaphragm made of FKM (VITON)



- 1 body
- 2 bonnet
- 3 diaphragm
- 4 spindle
- 5 handwheel

Features

Diaphragm made of FKM (VITON)
Easy replacement of the diaphragm



DN	mm inch	16 %	25 1	40 1 ½
A	mm inch	52 2.05	80 3.15	105 4.13
B	mm inch	30 1.18	40 1.57	55 2.17
D	mm inch	15 0.59	19 0.75	29 1.14
H	mm inch	17.2 0.68	26.2 1.03	41.2 1.62
I	mm inch	3 0.12	3 0.12	3 0.12
L	mm inch	66.5 2.62	111 4.37	132 5.2
M	mm inch	10 0.39	2 0.08	2.7 0.11
N	mm inch	10 0.39	14 0.55	22.3 0.88
O	mm inch	□ 32 x 32 □ 1.26 x 1.26	□ 54 x 54 □ 2.13 x 2.13	□ 74 x 79 □ 2.91 x 3.11
P	mm inch	□ 32 x 32 □ 1.26 x 1.26	□ 54 x 54 □ 2.13 x 2.13	□ 75 x 80 □ 2.95 x 3.15
T	mm inch	27.5 1.08	56 2.2	77 3.03
V	mm inch	30 1.18	47.5 1.87	69 2.72
Z	mm inch	5.5 0.22	10 0.39	- -